

Project Name: _____ Type: _____ Quantity: _____

INTENDED USE

The specification grade **Silo Architectural LED 6 Inch Cylinder Direct Downlight Fixture** delivers energy efficient lighting to commercial, hospitality and residential interior lighting applications. Our modern LED Cylinder Downlights provide excellent color rendering for versatile environments.

FEATURES

Cylinder Cap Construction: High quality 0.040" steel cap with universal slots to allow for direct mounting to J-Box for surface mount. Incorporates all thread in the center for the installation of a cable or pendant rod kit for the corresponding mounting method. Three screws on the bottom of cap secure cylinder body to cylinder cap (Adjustable with flathead screw driver).

Cylinder Body Construction: 0.040" steel cylindrical body with three keyhole slots allowing body to be installed to cylinder cap. Spring brackets accept torsion wing trim springs. Four butterfly clips also accommodated for spring-less trims.

Mounting: Cable Mount includes an 8-foot, field-cuttable aircraft cable and a 5-wire offset cable for power and dimming; the Stem Mount features a swivel canopy compatible with sloped ceilings (1/12 to 10/12 pitch) and a 7-foot rod with configurable 12-inch and 24-inch segments; and the Surface & Wall Mount comes with hardware for direct junction box installation, ensuring a clean, stable finish.

CRI: 90+

Optional External Emergency Battery: 7W external emergency battery with remote test switch offers 90 minutes of illumination.

Life: 50,000 hours @ L70

Warranty: 5 Years Carefree for Parts & Components (Labor Not Included)

Listings: cULus Listed for damp locations, cULus Listed for wet locations (Wall Mount Only), Energy Star, FCC Compliant, Assembled in the USA



Cable Mount (AC8)



Sloped Ceiling



Pendant Stem Mount (ST7)



Surface Mount (S)



Wall Mount (W)

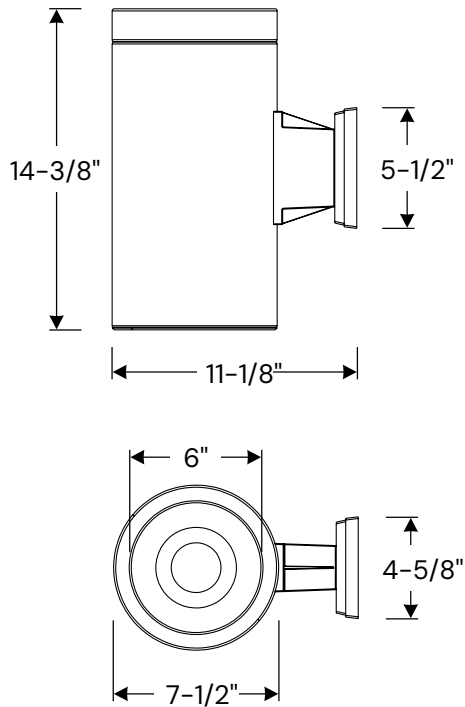


ORDERING INFORMATION Example:

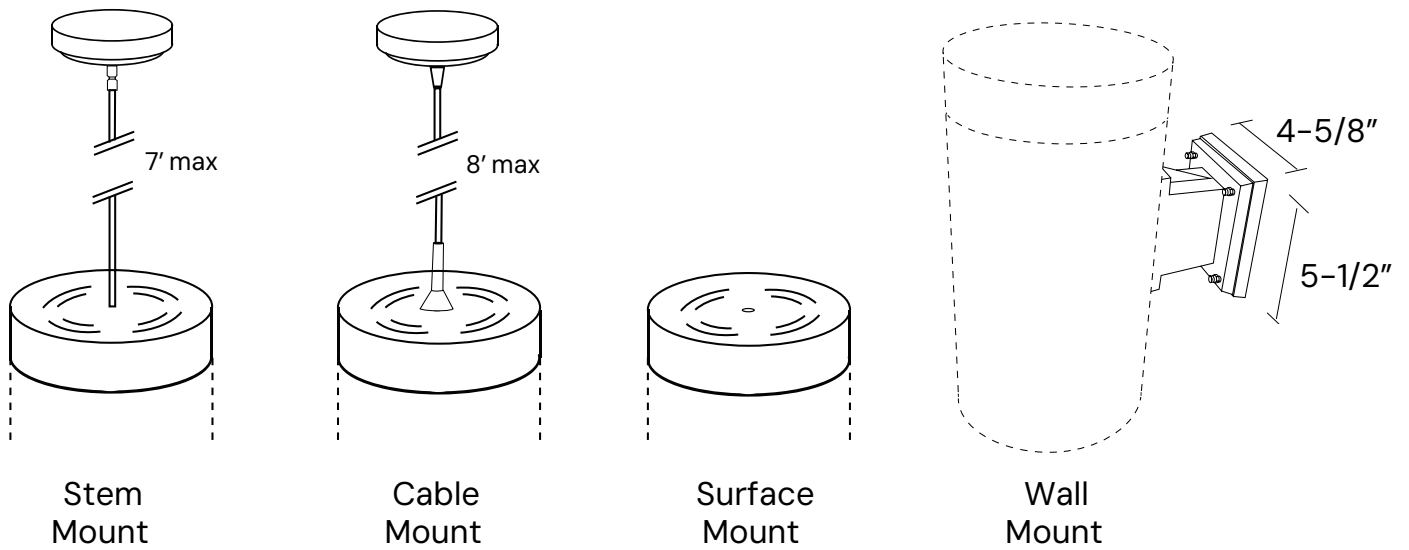
Model	Mounting	Wattage Lumens	Color Temp	Finish	Beam Spread	Dimming	Options
12306 Silo	AC8 8' Aircraft Cable Mount	11W 11 Watts 900 Lumens	27K 2700K	BK Black	S 38° Spot	010 120-277V 0-10V 120V 120V TRIAC/ELV	EM7X 7W External Emergency Battery
	ST7¹ 7' Stem Mount	16W 16 Watts 1500 Lumens	30K 3000K	WH White	N 56° Narrow Flood		
	S Surface Mount	24W 24 Watts 2500 Lumens	35K 3500K		F 72° Flood		
	W Wall Mount	36W 36 Watts 3500 Lumens	40K 4000K				
		44W 44 Watts 4500 Lumens					
		58W 58 Watts 5500 Lumens					

¹ Not Compatible with **EM7X** 7W External Emergency Battery

LINE DRAWINGS



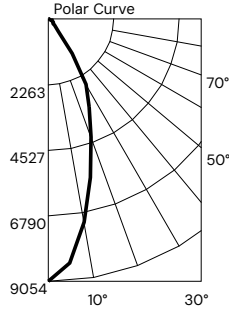
MOUNT TYPES



PHOTOMETRY

Test Information

Part Number: 12306-S-46W-40K-WH-S
 Beam Spread: 38° Spot
 Lumens: 5673lm
 Wattage: 56.59W
 Efficacy: 100lpw
 CCT / CRI: 4000K / 90 CRI
 Spacing Criteria (0°-180): 0.62
 Spacing Criteria (90°-270): 0.62



Illuminance at a Distance

Distance from Luminaire	FC at Nadir	Beam Diameter
8'	141fc	5'-7"
12'	62.9fc	8'-5"
16'	35.4fc	11'-2"
20'	22.6fc	14'
24'	15.7fc	16'-10"

Zonal Lumen Summary

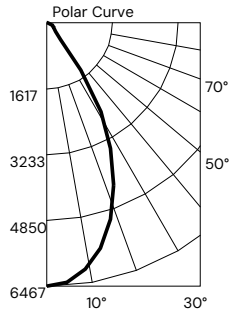
Zone	Lumens	% Luminaire
0-30	3900	68.8
0-40	4883	86.1
0-60	5362	94.5
0-90	5673	100
90-180	0	0
0-180	5673	100

Candela Table

Vertical Angles	Candela
0	9054
5	8452
15	5655
25	3344
35	1462
45	307

Test Information

Part Number: 12306-S-58W-40K-WH-N
 Beam Spread: 56° Narrow Flood
 Lumens: 5709lm
 Wattage: 56.65W
 Efficacy: 101lpw
 CCT / CRI: 4000K / 90 CRI
 Spacing Criteria (0°-180): 0.86
 Spacing Criteria (90°-270): 0.86



Illuminance at a Distance

Distance from Luminaire	FC at Nadir	Beam Diameter
8'	101fc	8'-7"
12'	44.9fc	12'-11"
16'	25.3fc	17'-1"
20'	16.2fc	21'-5"
24'	11.2fc	25'-8"

Zonal Lumen Summary

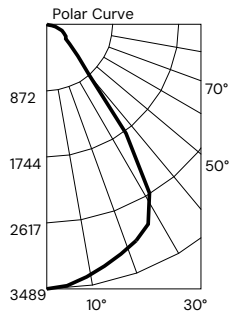
Zone	Lumens	% Luminaire
0-30	3364	58.9
0-40	4654	81.5
0-60	5377	94.2
0-90	5709	100
90-180	0	0
0-180	5709	100

Candela Table

Vertical Angles	Candela
0	6467
5	6361
15	5481
25	3838
35	1679
45	305

Test Information

Part Number: 12306-S-58W-40K-WH-F
 Beam Spread: 72° Flood
 Lumens: 5003lm
 Wattage: 56.68W
 Efficacy: 88lpw
 CCT / CRI: 4000K / 90 CRI
 Spacing Criteria (0°-180): 1.18
 Spacing Criteria (90°-270): 1.16



Illuminance at a Distance

Distance from Luminaire	FC at Nadir	Beam Diameter
8'	54.5fc	11'-8"
12'	24.2fc	17'-7"
16'	13.6fc	23'-5"
20'	8.7fc	29'-4"
24'	6.1fc	35'-1"

Zonal Lumen Summary

Zone	Lumens	% Luminaire
0-30	2168	43.3
0-40	3449	68.9
0-60	4535	90.7
0-90	5003	100
90-180	0	0
0-180	5003	100

Candela Table

Vertical Angles	Candela
0	3489
5	3448
15	3243
25	3014
35	1965
45	589

COMPATIBLE DIMMERS

	ALCON LIGHTING	LUTRON	LEVITON
0-10 V	2100 2101 2102	Diva DDTV	IP-710-DL

COLOR TEMPERATURE GUIDE

2700K	3000K	3500K	4000K	5000K
WARM WHITE	SOFT WHITE GLOW	NEUTRAL GLOW	COOL WHITE GLOW	DAYLIGHT GLOW
friendly personal intimate	soft warm pleasing	sociable inviting non-threatening	neat clean efficient	bright cool alert
HOMES LIBRARIES RESTAURANTS	HOMES HOTEL ROOMS LOBBIES RETAIL STORES	EXECUTIVE OFFICES RECEPTION AREAS SUPERMARKETS	OFFICES CLASSROOMS MASS MERCHANTISERS SHOWROOMS	GRAPHICS INDUSTRY HOSPITALS GALLERIES BEAUTY SALONS
✓	✓	✓	✓	✗